

ANT-WSB-PNF-12 Series

Directional panel antennas: 12 dBi at 2.4 GHz



Features and Benefits

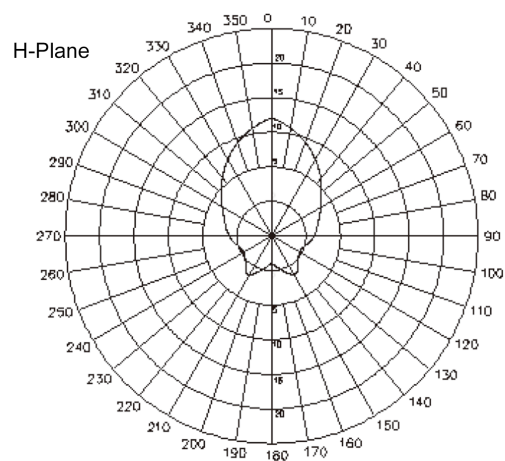
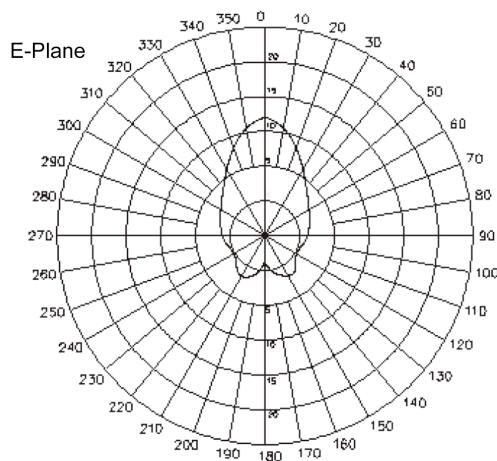
- High-gain antenna to enhance performance
- Waterproof N-type connector
- Lightweight
- Compact form factor
- Pole-mounting support
- Housing provides IP65 protection
- -40 to 80°C operating temperature range

Introduction

The ANT-WSB-PNF-12 is a lightweight compact dual-band high-gain directional panel antenna with waterproof N-type connector. The antenna provides a gain of 12 dB at 2.4 GHz. The IP65-rated housing, pole-mounting support, and a wide operating temperature range of -40 to 80°C make it suitable for outdoor use.

Field Patterns

Frequency: 2.4 GHz



Specifications

Antenna Characteristics

Frequency	2.4 to 2.5 GHz
Antenna Type	Directional, Panel
Typical Antenna Gain	12 dBi
Connector	N-type (female)
Impedance	50 ohms

Polarization	Linear
HPBW/Horizontal	50°
HPBW/Vertical	30°
V.S.W.R.	1:1.5 max.
Power Handling	10 W (max.)

Physical Characteristics

IP Rating	IP65
Dimensions	214 x 94 x 30 mm (8.43 x 3.7 x 1.18 in)
Weight	560 g (1.23 lb), including antenna holder
Radome Color	White
Radome Material	PVC
Installation	Pole mount

Environmental Limits

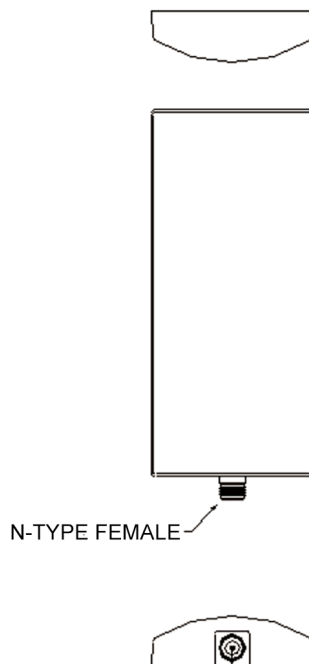
Operating Temperature	-40 to 80°C (-40 to 176°F)
Storage Temperature (package included)	-40 to 80°C (-40 to 176°F)
Ambient Relative Humidity	5 to 95% (30°C, non-condensing)

Warranty

Warranty Period	1 year
Details	See www.moxa.com/warranty

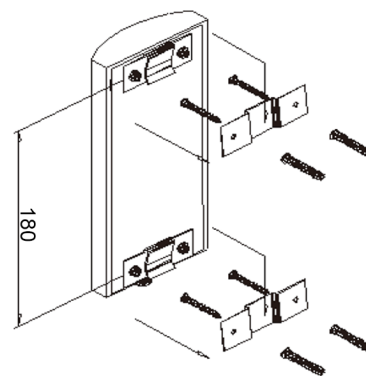
Dimensions and Mounting

Dimensions



Mounting

Unit: mm



Ordering Information

Model Name	Frequency	Antenna Type	Antenna Gain	Connector
ANT-WSB-PNF-12	2.4 to 2.5 GHz	Directional, Panel	12 dBi	N-type (female)

© Moxa Inc. All rights reserved. Updated May 15, 2019.

This document and any portion thereof may not be reproduced or used in any manner whatsoever without the express written permission of Moxa Inc. Product specifications subject to change without notice. Visit our website for the most up-to-date product information.