

NP-6118-16I160C

- Fanless, Low power consumption
- AGV, Automation Controller Platform

■ Features

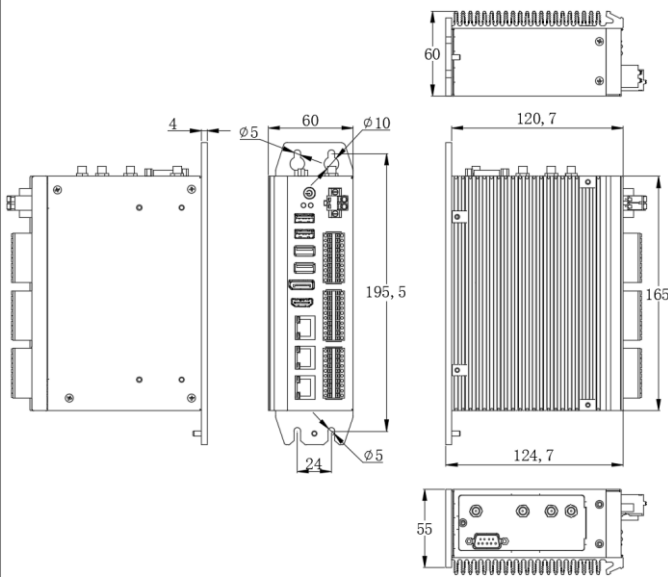
- 1 x Intel I210AT GbE LAN controller
- 2 x RTL8111H GbE LAN controller
- 4 x USB on the front, 1 x USB2.0 on board for USB dongle
- 1 x RS232, 2 x RS485, support auto flow control
- 2 x CAN2.0 A/B
- 16 x isolated DI, 16 x isolated DO
- 1 x miniPCIe expansion slot, support Wifi,3G/4G modules
- 1 x M.2 expansion slot, support Wifi modules
- Support wall-mounted or DIN-Rail fixing style
- Wide operating temperature -20 ~ 60°C supported



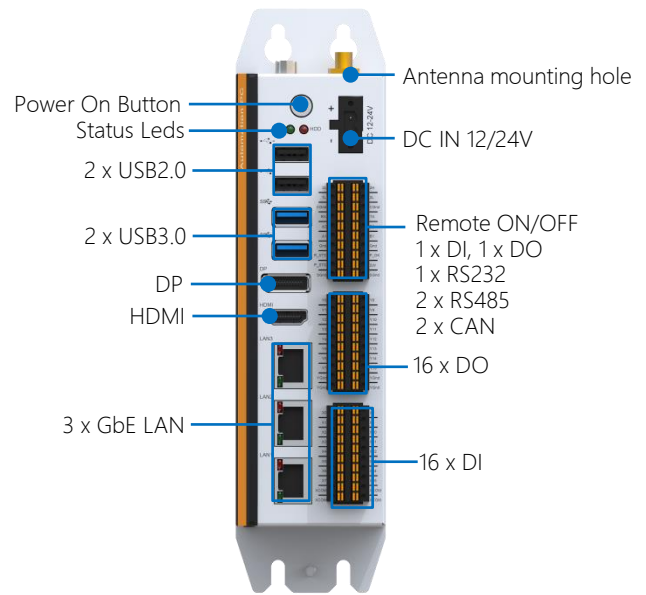
■ Specifications

Model Name		NP-6118-16I160C-J1900	NP-6118-16I160C-J6412
System	CPU	Intel® Celeron J1900, 2.0~2.41GHz, 4 cores/4 threads, 2MB L2 cache	Intel® Celeron J6412, 2.0~2.6GHz, 4 cores/4 threads, 1.5MB L2 cache
	TDP	10W	
	BIOS	AMI UEFI 64Mbit	
	Memory	1 x SO-DIMM DDR3L-1333MHz (max. 8GB)	1 x SO-DIMM DDR4-2400MHz (max. 32GB)
	Storage	1 x mSATA SSD bay	
	USB	1 x USB3.0, 3 x USB2.0 1 x USB2.0 Type A on the board for USB dongle	2 x USB3.0, 2 x USB2.0
	COM	1 x RS232, 2 x RS485	
	Ethernet	1 x Intel I210AT GbE LAN controller 2 x RTL8111H GbE LAN controller	
	DI	16 x DI NPN/PNP, isolated 3750 Vrms	
	DO	16 x DO, Transistor output, I _{max} :0.5A per channel, isolated 3750 Vrms	
	CAN	2 x CAN Bus 2.0A/B	
	HDMI	Support up to 1920 x 1080	Support up to 4096 x 2160
	DP	NC	Support up to 4096 x 2160
	Expansions	1 x Full-size PCIe Mini slot with SIM card holder(with USB signal) 1 x M.2 KEY-A, Support Wifi modules	
	Watch Dog	1~255 levels programmable	
OS Support	Microsoft Windows	Windows 10	
	Linux	Ubuntu	
Power	Voltage Input	DC24V ±10%, overcurrent, overvoltage and polarity inverse protection, Super capacitors integrated.	
	Power Consumption	Max. 45W	
Chassis	Structure	Fanless, Wall-mounted or DIN-Rail	
	Dimensions	(L)165mm x (W)124.7mm x (H)60mm	
	Net Weight	1.15Kg	
Environment	Work Temperature	-20°C ~ 60°C (-4°F~140°F) with air flow (SSD)	
	Storage Temperature	-40°C ~ 80°C (-40°F ~ 176°F) with air flow (SSD)	
	Relative Humidity	5~95% (Non-condensing)	
	Operating Vibration	5~500Hz, 1.5Grms@with SSD, Follow IEC60068-2-64	
	Operating Shock	20G peak acceleration(11ms duration) with SSD, Follow IEC60068-2-27	
EMC	CE/FCC Class A		

■ Dimensions (Unit: mm)



■ Interfaces



■ Ordering Information

Part No.	Product	Description
6070200184	NP-6118-16I16OC-J6412	CPU:J6412, RAM:NULL, mSATA: NULL, 1 x RS232, 2 x RS485, 2 x CAN2.0, 3 x LAN, 2 x USB3.0, 2 x USB2.0, HDMI/DP, 16 x DI, 16 x DO, DC12/24V Power Input
6070200228	NP-6118-16I16OC-J1900	CPU:J1900, RAM:NULL, mSATA: NULL, 1 x RS232, 2 x RS485, 2 x CAN2.0, 3 x LAN, 1 x USB3.0, 3 x USB2.0, HDMI, 16 x DI, 16 x DO, DC12/24V Power Input

■ Options

Parts	Description
DDR3L Memory	DDR3L-1333MHz: 4GB, 8GB
DDR4 Memory	DDR4-2400MHz: 4GB, 8GB, 16GB
mSATA SSD	64GB, 128GB, 256GB, 512GB, 1TB
Wifi Set	Intel AX210 wifi 6E M.2 Set
3G/4G Modules	mini PCIE: EC20, EG25, EC25
Mount Option	DIN-Rail, Wall mounted

Note: If some optional parts are offered with the system, additional system certificates may be required in certain regions/countries. Please contact NODKA for certificate compliance.